



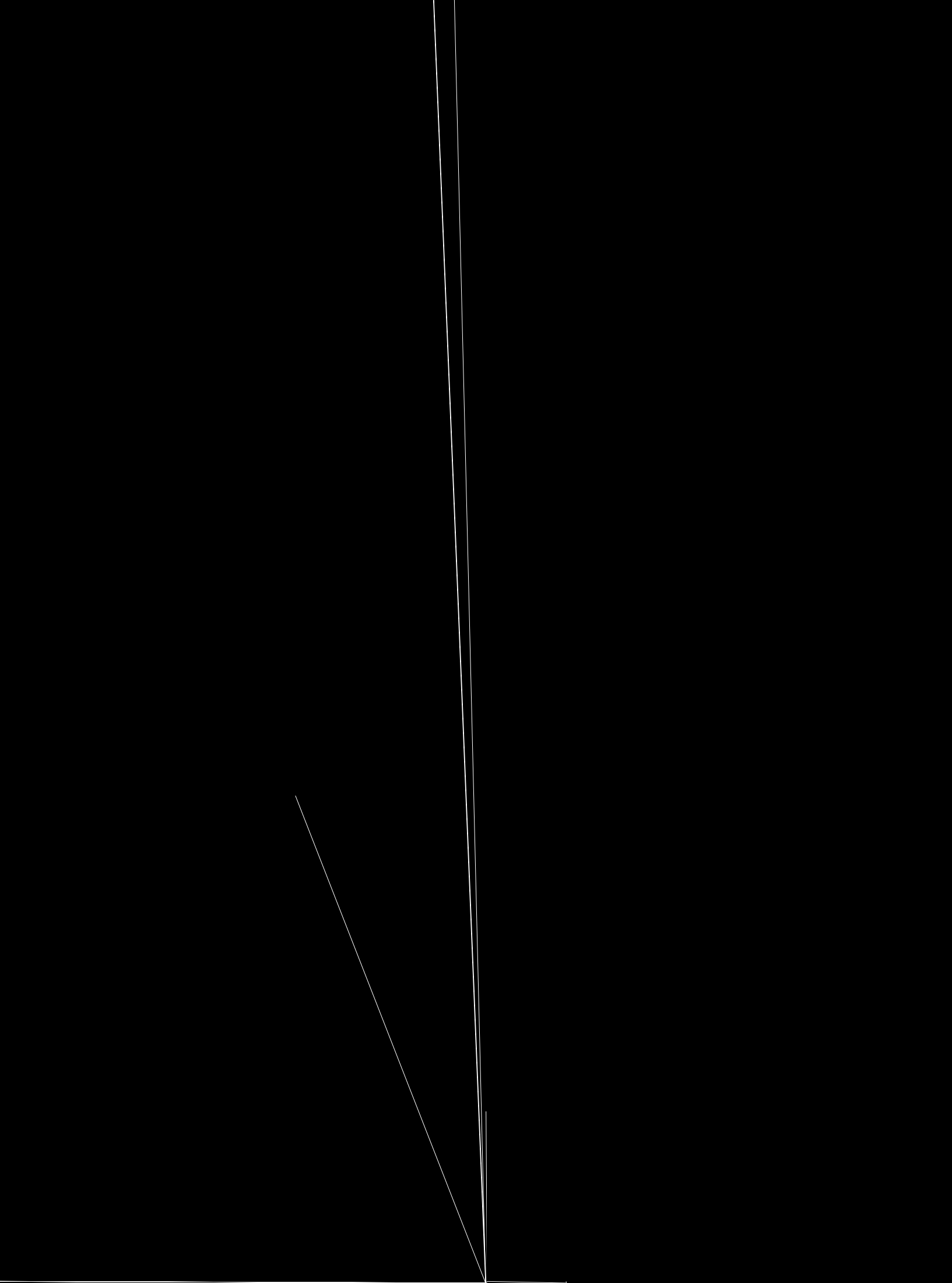
# ZGE-CI-Z-186-372-S

<b>Battery</b>	
Configuration	1P416S
Number of Pack	8
<b>Electrical</b>	
Charging Current	140A
Discharging Current	140A
Rated Capacity	372.7kWh
Voltage Range	1164.8~1497.6V
Rated Voltage	1331.2V
Rated Power	186.3kW, 0.5P
<b>Auxiliary Power</b>	
Voltage Range	176~264V
Cooling Unit Power	Cooling: 3.1KW; Heating: 2.0KW
BMS Power	60W
<b>Battery Cabinet</b>	
Protection Grade	Battery: IP66; Control: IP55
Anticorossion	C5
Cooling Mode	Liquid Cooling
<b>PCS</b>	
<b>Basic</b>	
Rated Power	200kVA
Overload Capacity	Constant Operation@110%; 1 min@120%
Efficiency	Max. 99%
Power Response	<20ms
Charge/Dischargr Transfer	<50ms
<b>DC</b>	
Max DC Voltage	1500V
DC Voltage Range	1100~1500V

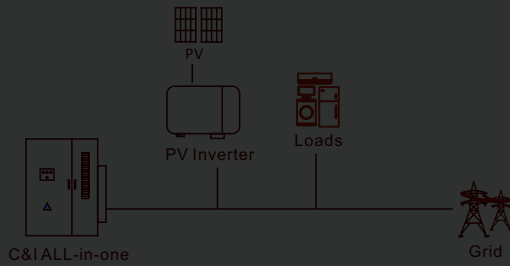
DC Voltage Range(100%load)	1100~1500V
AC	
Rated Voltage	750V
Rated Current	154A
Max Constant Current	169A
Voltage Range	-15%~+10%
Frequency	50/60±5Hz
THDi	<3%
Wiring Group	3/PE
General	
Altitude	-40~+60℃
Protection Grade	IP66
Noise	≤70dB
Cooling Mode	Air Forced Cooling
Communication	
Communication Port	RS485
Communication Protocol	Modbus-RTU;TCP-IP
Installation	
Dimensions (W*D*H)	1620*1350*2450mm
Weight	3895kg
Certificate	IEC62477, IEC61000, CEI-016, VDE4110, EN50549, IEC62619

NO.	Name	Recommended model/ Specifications	QT Y	Remark
1	Energy Storage System Cabin	186kW/372kWh	-	See NO. 1.1 to 1.3 for details
1.1	Li-ion Battery	Adopting LFP battery, 1 continuous charging/discharging multiplication rate $\leq 0.5C$ , including battery module, switch box, BMS system, etc.		
1.2	PCS	Rated power 186kW, output voltage AC750V, three-phase three-wire		
1.3	Cabin	L*W*H=1700*1500*2500mm, including temperature control system		

F2249.958T27  
249.958T2

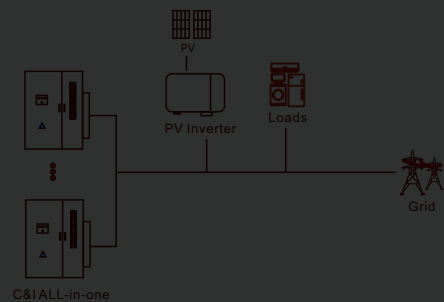


# Grid-connected scenario



# Parallel connection scenario

The BESS connection



# Microgrid scenario

